

Colour Ranger 27

LEDWSH272

The Colour Ranger 27 is an IP66 rated architectural wash suitable for both outdoor and indoor deployment and installations. The Aluminium Die Cast construction makes the Colour Ranger extremely durable and allows the fixture to be passively cooled, providing reliable performance as well as low maintenance requirements. The LED array formed of 27 x 10W RGBW chips provides an impressive output and the ability for segment control of three horizontal sections.



Colour Ranger 27 Specifications

Optical System

Lamp Source	27 x 10W RGBW LED
Beam Angle	25°
CCT	1800K to 10,000K
CRI	≥90

Electrical Specifications

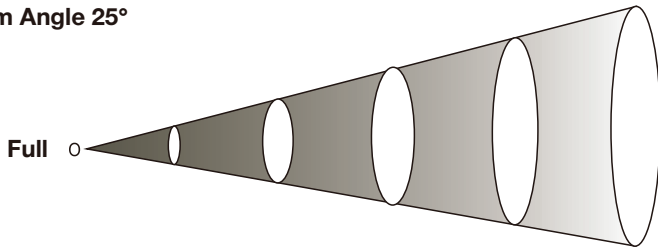
Voltage	100 – 240VAC 50/60Hz
Max Power	268W
Power Connection	IP molded in/out power connectors with 240V AC adaptor included
Signal Connection	IP molded in/out data connectors with XLR adapters included

Work Environment

Ambient Temperature	-20°C to 45°C
IP Rating	IP66

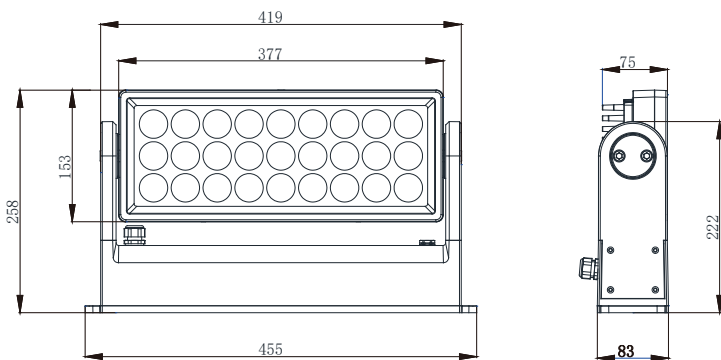
Photometrics

Beam Angle 25°



Projection Distance (m)	1m	3m	5m	7m	10m
Luminance (Lux)					
R	14089	1565	564	288	141
G	17883	1987	715	364	179
B	2878	320	115	58	29
W	20088	2232	803	410	201
ALL	44544	4949	1782	909	445

Dimensions



Control System

Dimmer	0 to 100% 8-bit
Cooling	Passive
Control	DMX512, RDM, W-DMX
Display	No display
Personality	4ch, 6ch, 10ch, 12ch
Tilt (manual)	+/-90°

Appearance

Size (LWH)	455 x 83 x 268mm
Weight	9kg
Casing	Aluminium Die Cast
Colour	Grey

Included Accessories

- LEDWSH518 IP molded power adaptor
- LEDWSH519 IP molded 5pin female adaptor
- LEDWSH520 IP molded 5pin male adaptor

Optional Accessories

Diffusion (needs to be fitted):

- LEDWSH280 60° diffusion filter
- LEDWSH281 10x60° diffusion filter

Molded Power Extensions:

- LEDWSH511 1m power extension
- LEDWSH512 2m power extension
- LEDWSH515 5m power extension
- LEDWSH516 10m power extension
- LEDWSH517 20m power extension

Molded Data Extensions:

- LEDWSH521 1m DMX extension
- LEDWSH522 2m DMX extension
- LEDWSH525 5m DMX extension
- LEDWSH526 10m DMX extension
- LEDWSH527 20m DMX extension

SYDNEY
+61 2 9748 1122

MELBOURNE
+61 3 9681 7511

PERTH
+61 8 9248 8119

BRISBANE
+61 7 3267 3177

AUCKLAND
+64 9 869 3293